

CDM

CDM-ISO-PHS/PHR

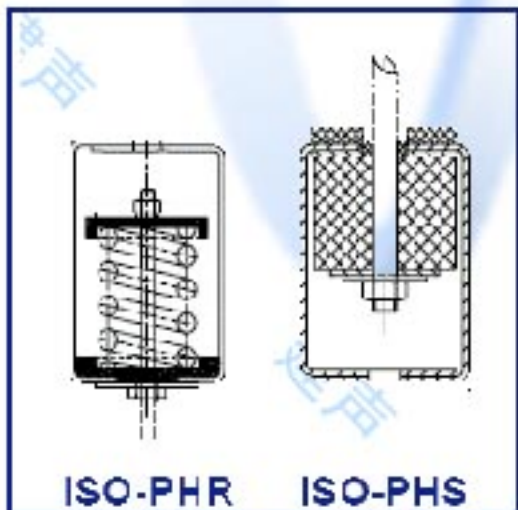


CDM-ISO-PHS/PHR Resilient Hangers are designed to suspend heavy ceilings, walls, lighting rigs, ducts and pipework. By isolating these elements from the main structure sound insulation and vibration isolation is maximised.

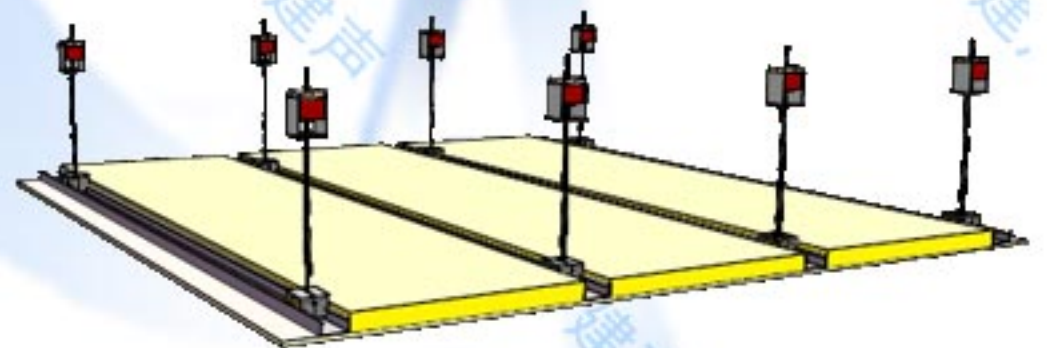
The choice between CDM-ISO-PHS and CDM-ISO-PHR depends on the required resonance frequency and the applied load.

Hangers can be manufactured to take any load and to achieve other natural frequencies on request (eg 3Hz spring hangers) Installation Guidelines

CDM-ISO-PERIMETER-STRIP should be used around the perimeter of the ceiling to ensure that the suspended elements are acoustically de-coupled from the supporting structures.



f_{res} [Hz]	Type	Optimal Load per element [N]
ca. 8 – 10 Hz	ISO-PHS-150	150 (100-250)
	ISO-PHS-500	500 (250-600)
	ISO-PHS-1000	1000 (600-1000)
	ISO-PHS-1400	1400 (1000-1800)
ca. 4 – 5 Hz	ISO-PHR-150	150 (120-180)
	ISO-PHR-500	500 (400-600)
	ISO-PHR-1000	1000 (800-1200)
	ISO-PHR-2000	2000 (1600-2400)



Hanging a suspended ceiling